

MEGA ARROW SEAL → LOCKING PROCEDURE

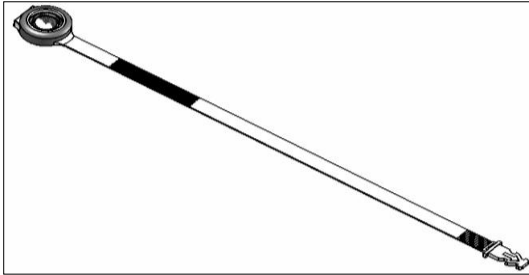


Diagram A

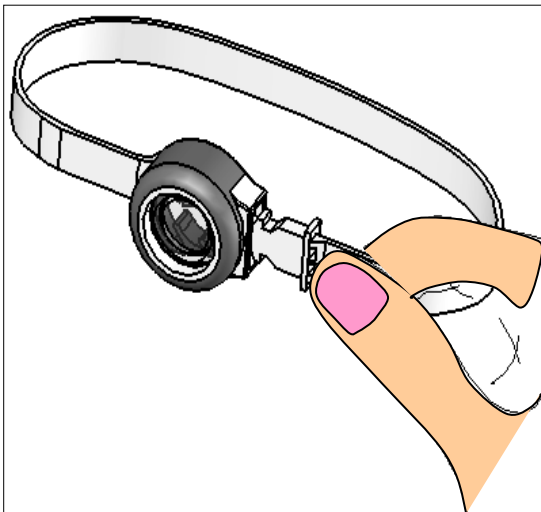


Diagram B

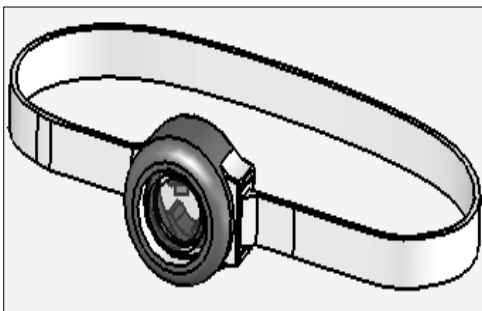


Diagram C

STEP 1

Make sure the seal head being placed with the front side facing the user, as shown in Diagram A.

STEP 2

Hold the seal head using one hand and with the other, insert the strip at the entry hole as shown in diagram B.

STEP 3

After inserting, push the strip tight till the maximum and there is no gap left or locking block was fully inserted after sealing, as shown in diagram C